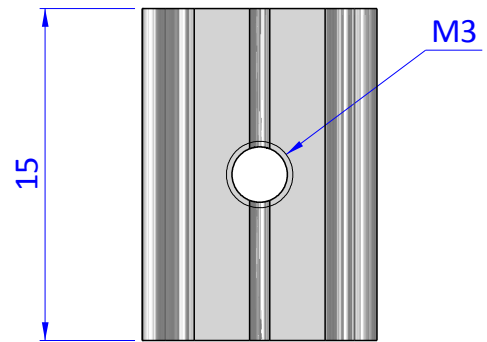
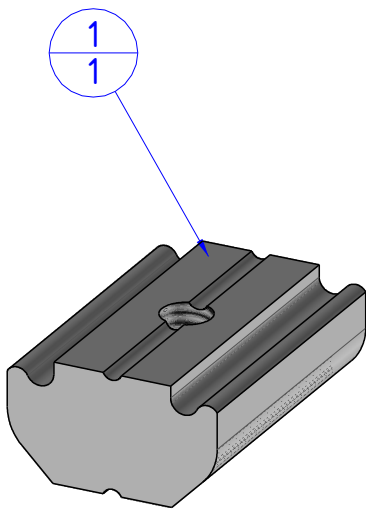
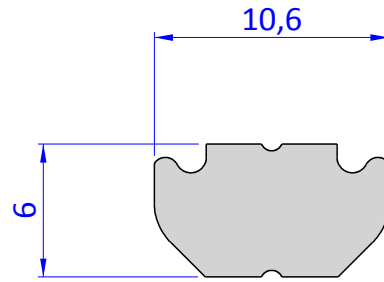


THE PROPERTY OF THE DRAWING IS ESTABLISHED BY LAW. IT IS FORBIDDEN TO PRODUCE OR SHOW IT TO THIRD PART. WITHOUT A WRITTEN AGREEMENT.

Item	Name	Q.ty
1	GWP.3U	1



Format A4 UNI 936-76					DESIGNED FROM FPSERVICES	REVIEW A / 1
	GENERAL TOLERANCE UNI - ISO 2768 CLASSE f	DESCRIPTION CA.GWP.3U	DATE 10/10/2018	WEIGHT 0,006kg	CODE CA.GWP.3U	